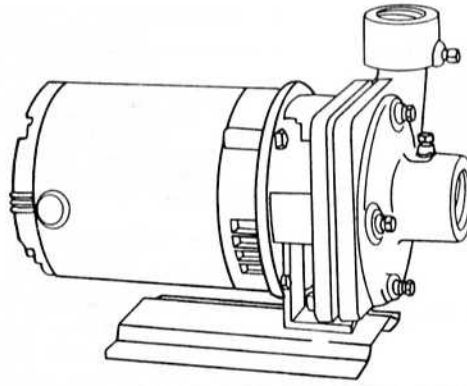
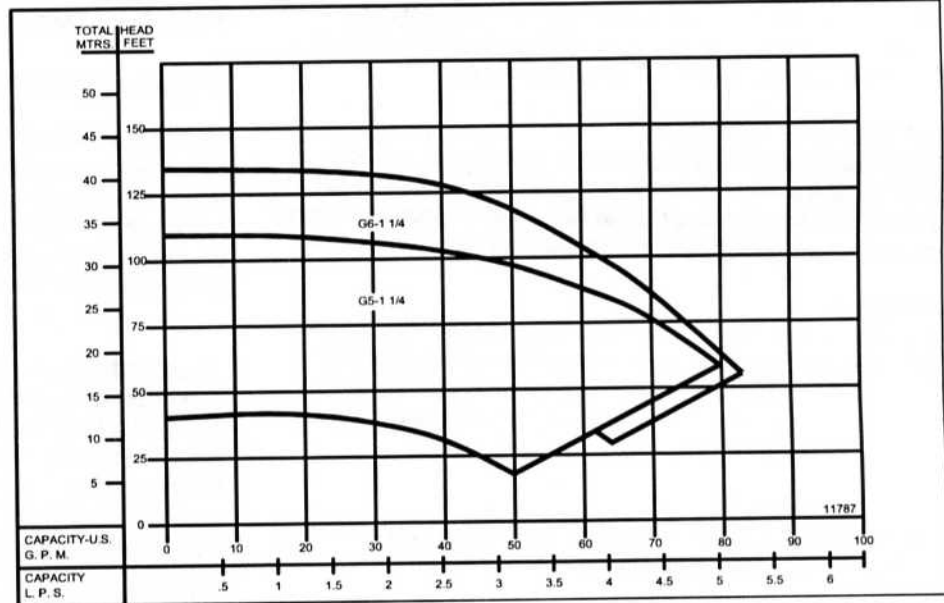


### Close Coupled Centrifugal Pumps



**3500 RPM - 60Hz.**  
CAPACITIES TO 80 GPM (5 LPS)  
HEADS TO 135 FEET (41 M)



**2900 RPM - 50Hz.**  
CAPACITIES TO 68 GPM (4.3 LPS)  
HEADS TO 92 FEET (28 M)

