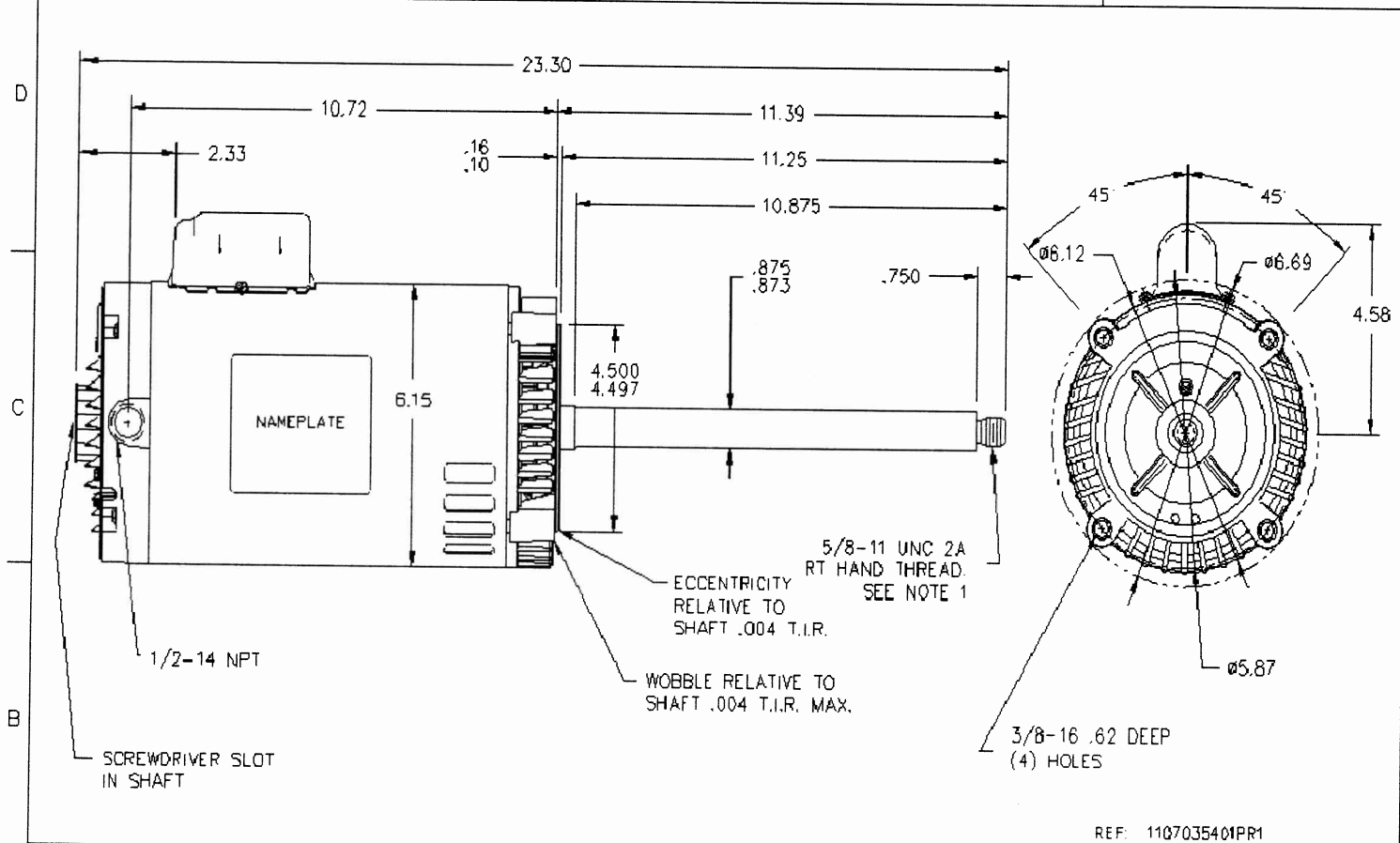


THE INFORMATION DISCLOSED HEREIN INCLUDES PROPRIETARY RIGHTS OF BLUFFTON MOTOR WORKS. NEITHER THIS DRAWING NOR THE INFORMATION DISCLOSED THEREIN SHALL BE REPRODUCED OR TRANSFERRED TO OTHER DOCUMENTS OR USED OR DISCLOSED TO OTHERS FOR MANUFACTURING PURPOSES OR FOR ANY OTHER PURPOSES EXCEPT AS SPECIFICALLY AUTHORIZED IN WRITING BY BLUFFTON MOTOR WORKS.

1103017449

UNLESS OTHERWISE SPECIFIED DIMENSIONS WITHOUT TOLERANCES ARE REFERENCE ONLY

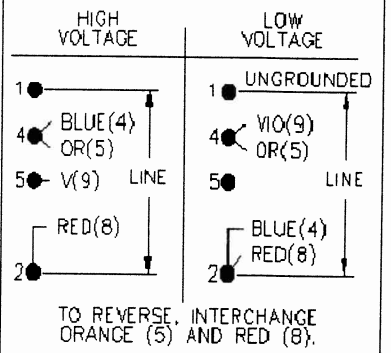


NOTES  
 1. ECCENTRICITY OF THREADED PORTION OF SHAFT IS HELD WITHIN .010 T.I.R. WITH INDICATOR ON OUTSIDE DIA. OF GROUND RING GAUGE BEING STATIONARY WITH RESPECT TO THE MOTOR.

LEADS

TERMINAL BOARD

EXTERNAL CONNECTIONS



**MOTOR DATA**

TYPE	CSIR	FRAME	56 CZ	PH	1	ENCLOSURE	OPEN	END CAP	UNASSEMBLED	VE WING	MOTOR ROTATION	REV	ECON NO.	REV	CHANGE	INITIAL DATE
		60 HZ		50 HZ		BEARINGS		BALL / BALL		LE AD END	ASSEMBLY ROTATION	CCW				
HP	-			1.5		PAINT		GRAY PRIME SHELL		ASSEMBLY VOLTAGE		HIGH				
SF	-			1.25		MOUNTING POSITION		HORIZONTAL / VERT DOWN		THERMALLY PROTECTED		TYPE N AUTOMATIC				
RPM	-			2875		SHAFT MATERIAL		STRESS PROOF		WINDING AND TEST SPEC		330009				
VOLTS	-			110/220		ENVIRONMENTAL CONDITION		NORMAL		CUSTOMER NAME		REMA DRI VAC CORP.				
FLA AMPS	-			17.0/8.5		HAZARDOUS CLASSIFICATION		TEMP CODE -		CUSTOMER PART NO.		116006.00				
S.F. AMPS	-			20.0/10.0						DRAWN		CWB 4-3-12				
TIME RATE	CONT			MAX AMB.	40° C					APPROVED		-				
KVACODE	J			INS. CLASS	B					RELEASED		-				
<b>BLUFFTON MOTOR WORKS</b>																
MODEL NUMBER																
1103017449																