

Hydronic Accessories

ITEM	PAGES
Weinman Hydronics Brochure	
TDV	1 - 2
Suction Diffusers	3 - 5

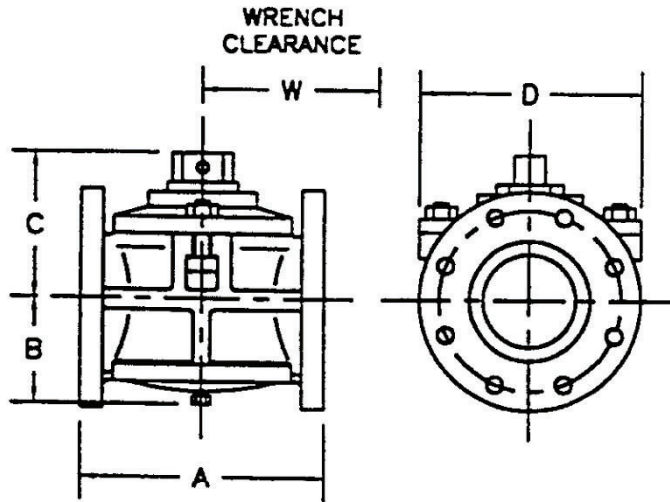


WARNING:
CANCER AND REPRODUCTIVE HARM -
WWW.P65WARNINGS.CA.GOV

Hydronic Accessories

This page intentionally left blank

Hydronic Accessories



Maximum Operating Conditions

Working Temp.	250°F
Working Pressure	175 PSI

Materials of Construction

Body	A536 Ductile Iron
Check Valve	Cast Iron thru 3" 304 Stainless Steel 4" - 12"
Stem Packing	Nitrile "O" Ring

Flange dimensions per:
ANSI standard B16.1, Class 125

* Nominal Pipe Size

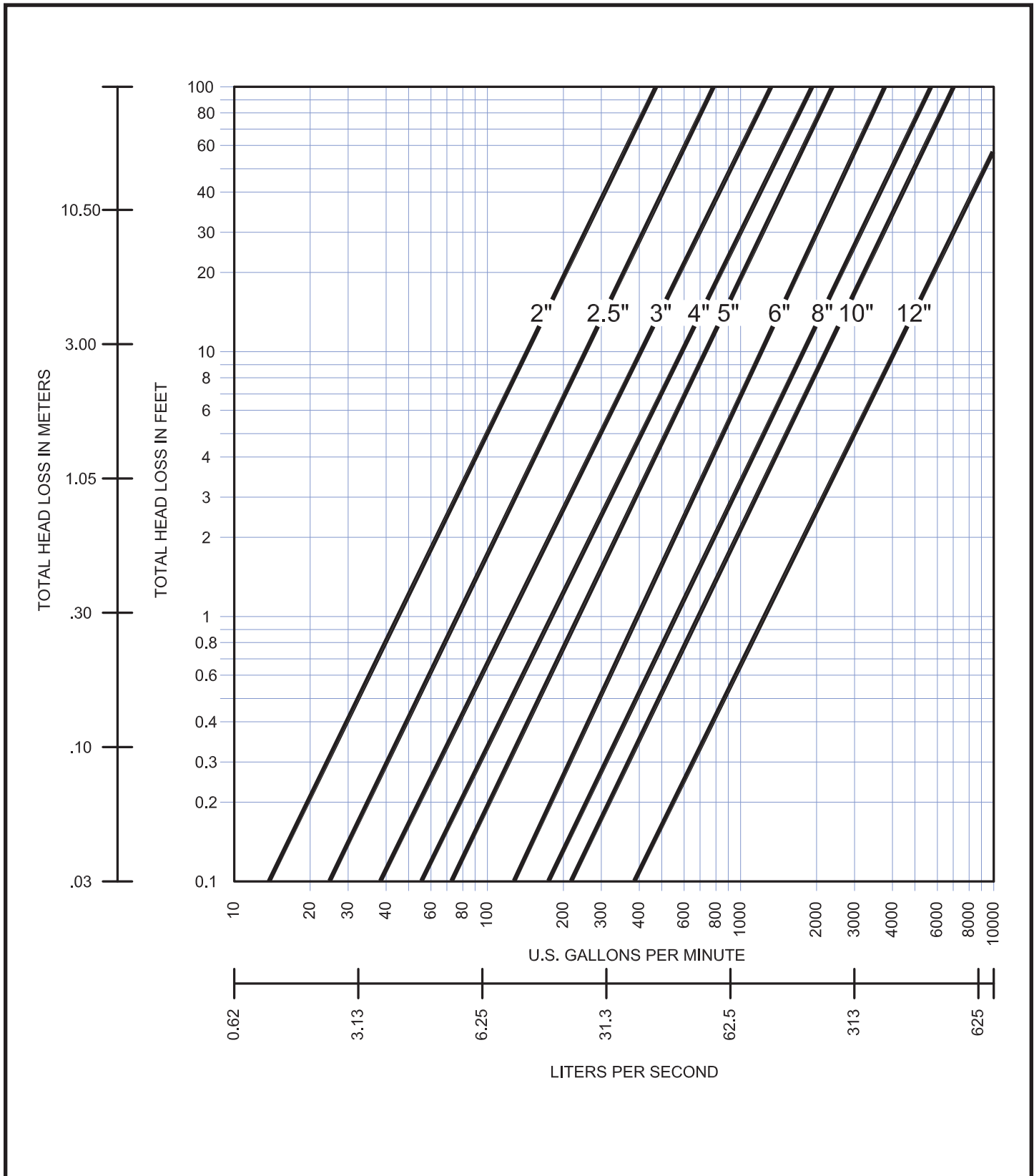
** All Flange Holes Tapped on 2½", 3", 4", 6", 8" Valves

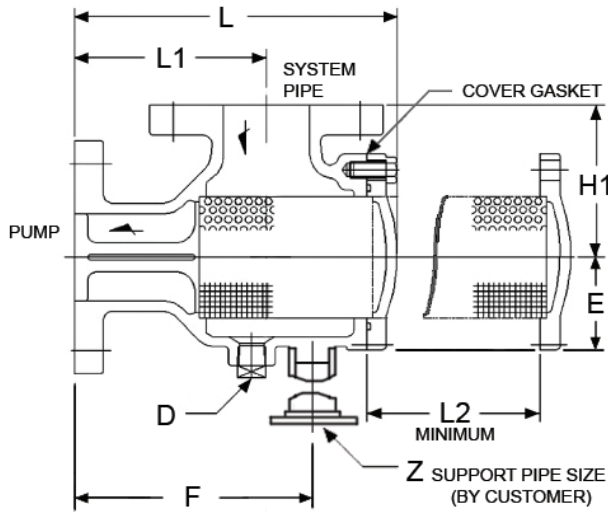
ANSI B16.1 - 125# Flange Rating

Model No.	Part No.	Dimensions in inches (mm)						Wt. lbs.
		Size	A	B	C	D	W	
W3D-2	132500	2.00"	7.00 (178)	2.13 (54)	4.31 (109)	5.00 (127)	14.00 (356)	19
W3D-2.5	132501	2.50"	8.00 (203)	2.75 (70)	5.75 (146)	6.63 (168)	16.25 (413)	40
W3D-3	132502	3.00"	8.00 (203)	2.75 (70)	5.75 (146)	6.63 (168)	16.25 (413)	42
W3D-4	132503	4.00"	9.00 (229)	3.25 (83)	6.63 (168)	6.75 (171)	16.25 (413)	64
W3D-5	132504	5.00"	10.00 (254)	3.38 (86)	6.63 (168)	6.75 (171)	16.25 (413)	95
W3D-6	132505	6.00"	10.50 (267)	5.00 (127)	7.88 (200)	10.63 (270)	33.13 (842)	122
W3D-8	132506	8.00"	11.50 (292)	5.75 (146)	7.88 (200)	9.00 (229)	33.13 (842)	165
W3D-10	132507	10.00"	16.00 (406)	7.50 (191)	9.88 (251)	10.56 (268)	33.13 (842)	270
W3D-12	132508	12.00"	19.00 (483)	9.31 (236)	11.38 (289)	13.38 (340)	33.13 (842)	385

Job Name	Sales Representative	
Location	Model No. Ordered	
	Capacity	Liquid
Engineer	Notes	
Contractor		
Contractor P.O. No.		

Hydronic Accessories





Maximum Operating Conditions

Working Temp.	250°F
Working Pressure	175 PSI

Materials of Construction

Body and Cover	Ductile Iron, ASTM A536
Screen	3/16" perforated Stainless Steel. Start up screen is 20 mesh Stainless steel.
Stud & Nuts	304 Stainless Steel
Gasket	Nitrile Rubber "O" Ring

ANSI B16.1 - 125# Flange Rating

Model No.	Part No.	Sys. Pipe	Pump	Cover Gasket Repair Part No.	Dimensions in Inches							Pres. Loss Curve Ref.	Wt. Lbs.	
					L	L1	L2 (MIN)	H1	E	F	D (NPT)			Z (SCH. 40)
WSD2X1.5	132964	2"	1.5"	142511	9.38	4.50	8.82	4.50	2.19	6.13	3/4"	1.00	B	21
WSD2X2	132482	2"	2"	142511	9.38	4.50	8.82	4.50	2.19	6.13		1.00	C	23
WSD2.5X2	132965	2.5"	2"	142512	10.38	5.00	9.38	5.00	3.13	6.57		1.00	D	32
WSD2.5X2.5	132483	2.5"	2.5"	142512	10.38	5.00	9.38	5.00	3.13	6.57		1.00	E	34
WSD3X2	132493	3"	2"	142513	8.13	4.25	5.00	4.69	3.13	5.63		1.00	F	37
WSD3X2.5	132484	3"	2.5"	142513	8.25	4.38	5.00	4.69	3.13	5.75		1.00	G	49
WSD3X3	132485	3"	3"	142514	9.38	4.75	5.25	4.75	3.63	6.63		1.00	H	55
WSD4X3	132486	4"	3"	142514	9.38	4.75	5.25	5.63	3.63	6.63		1.00	I	57
WSD4X4	132487	4"	4"	142515	11.13	5.75	6.75	5.75	4.25	7.63		1.25	J	92
WSD5X4	132488	5"	4"	142515	11.13	5.75	6.75	6.63	4.25	7.63		1.25	K	97
WSD5X5	132489	5"	5"	142516	12.63	6.50	7.13	6.50	4.88	8.63	1"	1.25	L	101
WSD6X4	132490	6"	4"	142515	11.13	5.75	6.75	7.50	4.25	7.75	3/4"	1.25	M	104
WSD6X5	132491	6"	5"	142516	12.63	6.50	7.13	7.38	4.88	8.63	1"	1.25	N	145
WSD6X6	132492	6"	6"	142517	13.88	7.00	7.88	7.00	5.88	9.13		2.00	O	182
WSD8X6	132494	8"	6"	142517	13.88	7.00	7.88	8.75	5.88	9.13		2.00	P	197
WSD8X8	132495	8"	8"	142518	18.88	9.25	16.25	9.25	6.38	11.63		2.00	Q	292
WSD10X8	132496	10"	8"	142518	18.88	9.25	16.25	11.00	6.38	11.63		2.00	R	312
WSD10X10	132497	10"	10"	142519	23.88	11.00	16.13	11.25	8.00	13.75		2.00	S	398
WSD12X8	132974	12"	8"	142518	18.88	9.25	16.25	12.00	6.38	11.63		2.00	T	412
WSD12X10	132498	12"	10"	142519	23.88	11.00	16.13	12.00	8.00	13.75		2.00	U	491
WSD12X12	132499	12"	12"	142520	26.00	12.00	18.13	12.00	9.25	13.88		2.00	V	573

Job Name		Sales Representative	
Location		Model No. Ordered	
Engineer		Capacity	Liquid
Contractor		Notes	
Contractor P.O. No.			

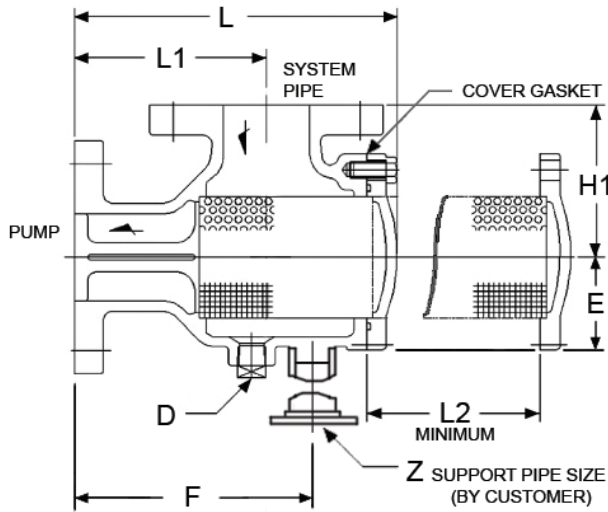
Submittal Data

Suction Diffusers
Metric (mm)



www.cranepumps.com

Hydronic Accessories



Maximum Operating Conditions

Working Temp.	250°F
Working Pressure	175 PSI

Materials of Construction

Body and Cover	Ductile Iron, ASTM A536
Screen	3/16" perforated Stainless Steel. Start up screen is 20 mesh Stainless steel.
Stud & Nuts	304 Stainless Steel
Gasket	Nitrile Rubber "O" Ring

ANSI B16.1 - 125# Flange Rating

Model No.	Part No.	Sys. Pipe	Pump	Cover Gasket Repair Part No.	Dimensions in Metric							Pres. Loss Curve Ref.	Wt. Lbs.	
					L	L1	L2 (MIN)	H1	E	F	D (NPT)			Z (SCH. 40)
WSD2X1.5	132964	2"	1.5"	142511	238	114	224	114	56	155	3/4"	25	B	21
WSD2X2	132482	2"	2"	142511	238	114	224	114	56	155		25	C	23
WSD2.5X2	132965	2.5"	2"	142512	263	127	238	127	80	167		25	D	32
WSD2.5X2.5	132483	2.5"	2.5"	142512	263	127	238	127	80	167		25	E	34
WSD3X2	132493	3"	2"	142513	207	108	127	119	80	143		25	F	37
WSD3X2.5	132484	3"	2.5"	142513	210	112	127	119	80	146		25	G	49
WSD3X3	132485	3"	3"	142514	239	121	134	121	92	169		25	H	55
WSD4X3	132486	4"	3"	142514	239	121	134	143	92	169		25	I	57
WSD4X4	132487	4"	4"	142515	283	146	172	146	108	194		32	J	92
WSD5X4	132488	5"	4"	142515	283	146	172	169	108	194		32	K	97
WSD5X5	132489	5"	5"	142516	321	165	181	165	124	219	1"	32	L	101
WSD6X4	132490	6"	4"	142515	283	146	172	191	108	197	3/4"	32	M	104
WSD6X5	132491	6"	5"	142516	321	165	181	188	124	219	1"	32	N	145
WSD6X6	132492	6"	6"	142517	353	178	200	178	150	232		51	O	182
WSD8X6	132494	8"	6"	142517	353	178	200	222	150	232		51	P	197
WSD8X8	132495	8"	8"	142518	480	235	413	235	162	296		51	Q	292
WSD10X8	132496	10"	8"	142518	480	235	413	279	162	296		51	R	312
WSD10X10	132497	10"	10"	142519	607	279	410	286	203	349		51	S	398
WSD12X8	132974	12"	8"	142518	480	235	413	304	162	296		51	T	412
WSD12X10	132498	12"	10"	142519	607	279	410	304	203	349		51	U	491
WSD12X12	132499	12"	12"	142520	661	304	461	304	235	353		51	V	573

Job Name		Sales Representative	
Location		Model No. Ordered	
Engineer		Capacity	Liquid
Contractor		Notes	
Contractor P.O. No.			

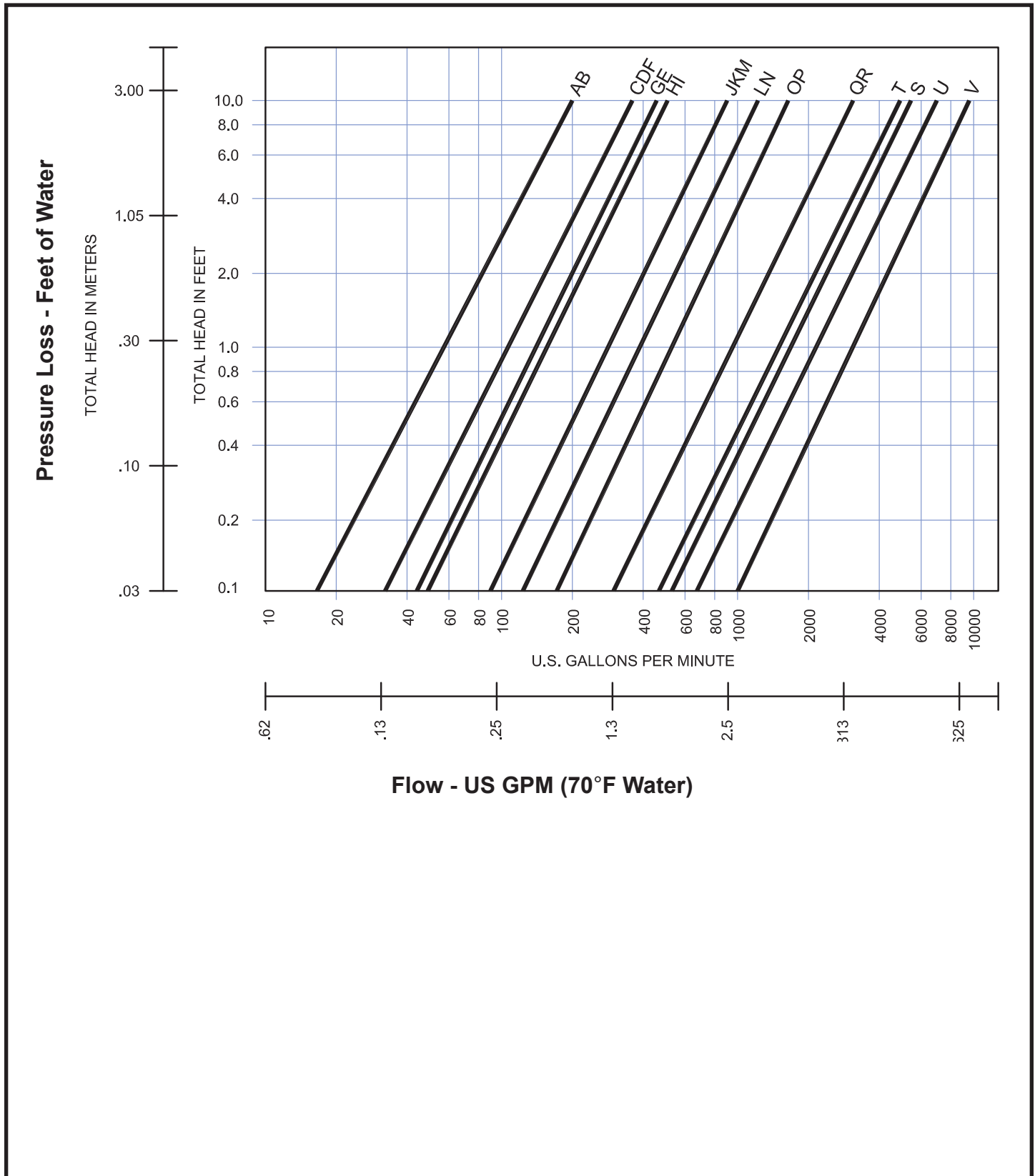
SECTION 1800
PAGE 4
DATE 10/18



A Crane Co. Company

PUMPS & SYSTEMS

USA: (937) 778-8947 • Canada: (905) 457-6223 • International: (937) 615-3598



Hydronic Accessories

This page intentionally left blank